



In memory of Academician
A. M. Baldin (1926-2007)

Joint Institute for Nuclear Research

XIX INTERNATIONAL BALDIN SEMINAR ON HIGH ENERGY PHYSICS PROBLEMS

Relativistic Nuclear Physics & Quantum Chromodynamics

Dubna, Russia, September 29 - October 4, 2008

International Advisory Committee

- | | |
|-------------------------------|-------------------------------|
| A. Andrianov (Russia) | Sh. Nagamiya (Japan) |
| A. Antonov (Bulgaria) | S. Nurushev (Russia) |
| J. Bartke (Poland) | Ch. Fardishev (USA) |
| C. Ciofi degli Atti (Italy) | L. Pondrom (USA) |
| T. Donnelly (USA) | U. Saitohhara (Uzbekistan) |
| M. Gazdzicki (Poland/Germany) | V. Sarntinoranont (USA) |
| H. Guderud (Germany) | L. Solonchak (USA) |
| T. Halzner (USA) | J. Sulejmanovic (JINR) |
| W. Henning (Germany) | A. Sulejmanovic (Ukraine) |
| V. Khachatryan (JINR) | P. Senger (Germany) |
| V. Kiselevich (JINR) | A. Sissakian (Russia) |
| S. Kullander (Sweden) | H. Stoecker (Germany) |
| J.-M. Laget (France) | A. Tarantelichev (JINR) |
| F. Lehner (Czech Republic) | A. Thomas (USA) |
| G. Leolin (Russia) | H. Toki (Japan) |
| A. Logunov (Russia) | E. Tomasi-Gustafson (Germany) |
| H. Machner (Germany) | I. Tsunoya (Japan) |
| V. Matveev (Russia) | E. Tsypkyn (USA) |
| Y. Muzakhanov (Uzbekistan) | T. Usov (USA) |
| Yu. Novozhilov (Russia) | V. V. Korotkiy (Russia) |

Seminar Topics

- Quantum chromodynamics at large distances
- Relativistic heavy ion collisions
- Hadron spectroscopy, multi-particles
- Cumulative processes
- Structure functions of hadrons and nuclei
- Multiparticle dynamics
- Relativistic phenomena, spin physics
- Studies of exotic nuclei in relativistic beams
- Applied use of relativistic beams
- Accelerator facilities: status and perspectives
- New project NICA/MPD (Nuclotron-based Ion Collider Facility/ Multipurposed Detector) at JINR
- Progress in experimental studies in the high energy centers - JINR, CERN, BNL, JLAB, GSI, etc.

Sponsored by
Russian Foundation for Basic Research
Dynasty Foundation

Organizing Committee

A.N. Sizikhin (Chairman), V.V. Barov (Vice-Chairman), A.I. Malinchev (Vice-Chairman),
S.G. Bondarenko (Scientific Secretary), S.L. Piskunov (Scientific Secretary),
E.N. Rastvorov (Secretary), R.N. Agapov, A.A. Balash, I.V. Bogdanov, S.L. Gerasimov,
A.Zh. Kozlenko, V.L. Lukyanov, Yu.A. Pankratov, N.M. Piskunov, G.M. Terentev,
V.D. Terehov, A.S. Sorin, I.A. Stokolenko, A.S. Yodoplinov, S. Yokoi, V.V. Yononov, P.I. Zorubov

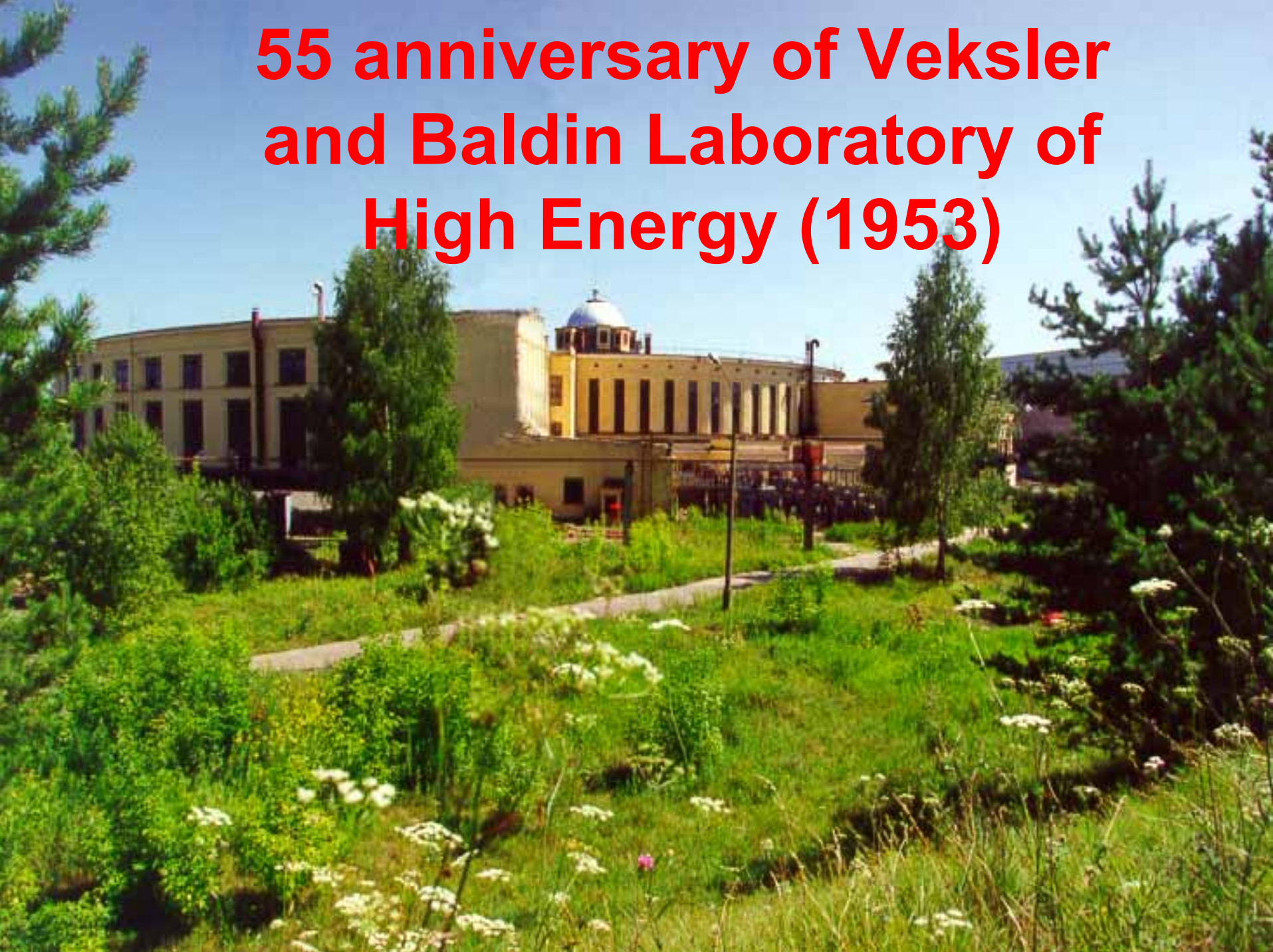
Address for Correspondence

Scientific Programme
Small Group Dynamics
High Energy Physics Department

Mail, Accommodation and Travel Details
Prof. I. I. Balashov, E-mail: iib@jinnp.jinr.ru
Tel: +7(495) 920-31000 ext. 92234, 92134, 920-31000 ext. 92234
Internet: <http://www.jinnp.jinr.ru>

„Welcome to
Baldin autumn“!

55 anniversary of Veksler and Baldin Laboratory of High Energy (1953)



15 years of Nuclotron operation (1993)



50 years of Synhrophasotron operation (1957)



35 years of first paper on Cumulative Effect (1973)

ЯДЕРНАЯ ФИЗИКА
JOURNAL OF NUCLEAR PHYSICS
Т. 18, вып. 1, 1973

КУМУЛЯТИВНОЕ МЕЗОНООБРАЗОВАНИЕ

А.М.БАЛДИН, С.Б.ГЕРАСИМОВ, Н.ГИОРДЭНЕСКУ, В.Н.ЗУБАРЕВ,
Л.К.ИВАНОВА, А.Д.КИРИЛЛОВ, В.А.КУЗНЕЦОВ, Н.С.МОРОЗ,
В.Б.РАДОМАНОВ, В.Н.РАМЖИН, В.С.СТАВИНСКИЙ, М.И.ЯЦУТА

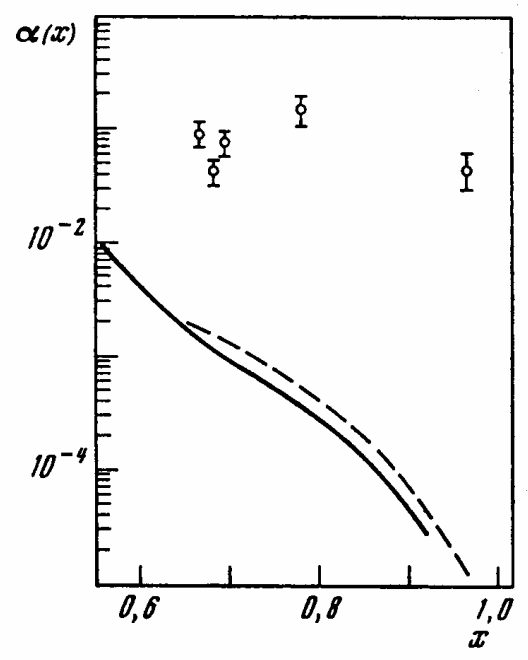
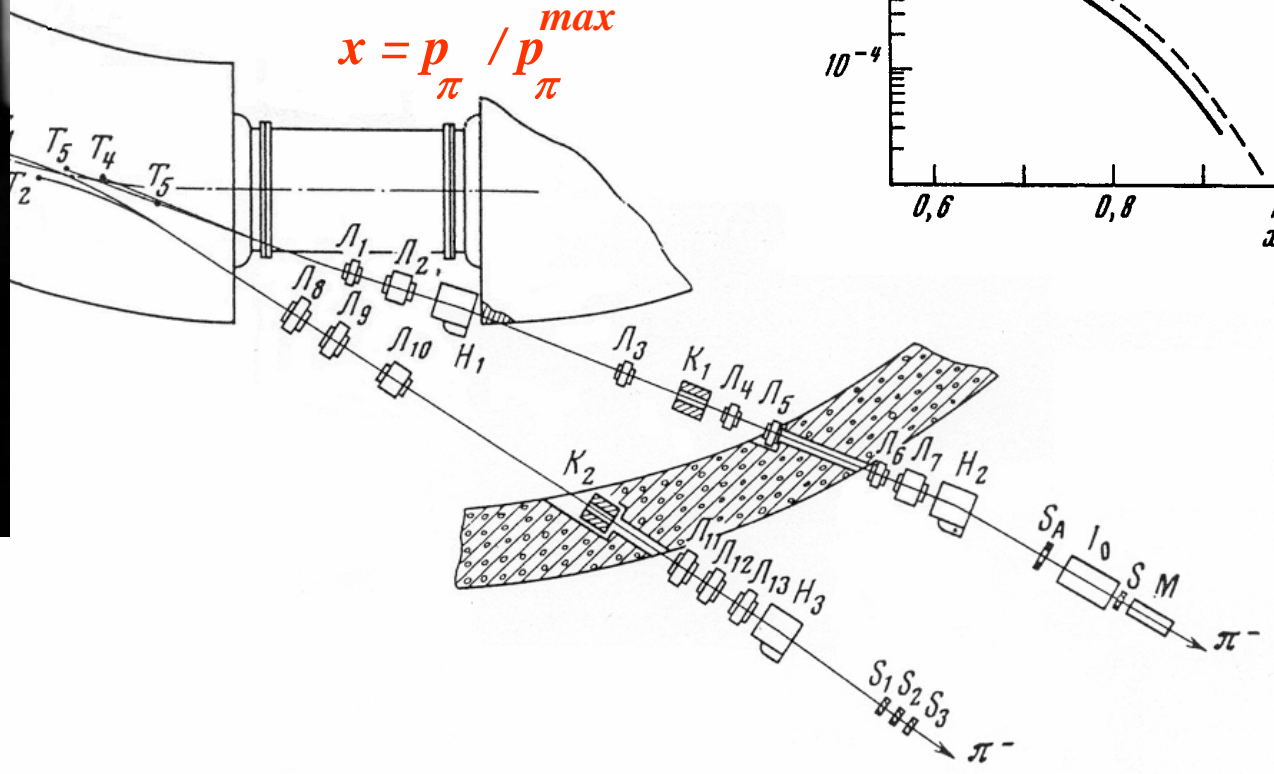
ОБЪЕДИНЕННЫЙ ИНСТИТУТ ЯДЕРНЫХ ИССЛЕДОВАНИЙ

(Поступила в редакцию 5 февраля 1973 г.)



$$\alpha(x) = \frac{d\sigma(d + Cu \rightarrow \pi^- + \dots)}{d\sigma(p + Cu \rightarrow \pi^- + \dots)}$$

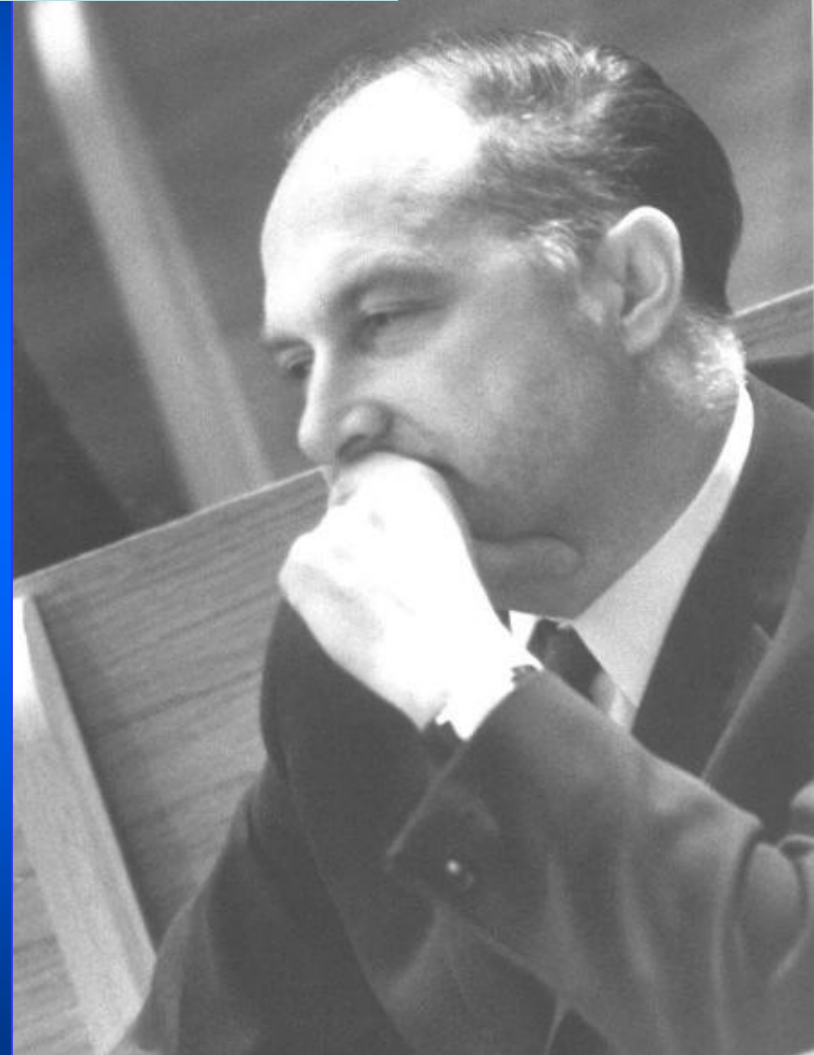
$$x = p_{\pi} / p_{\pi}^{max}$$



100 anniversary of M.A.Markov (1908)



M.A.Markov



A.M.Baldin

***Successful work
and pleasant rest time!***